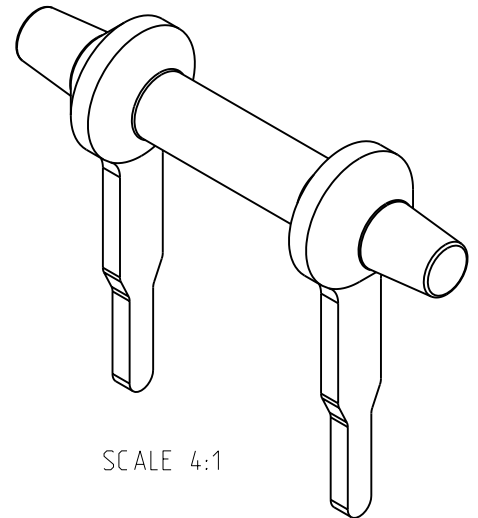
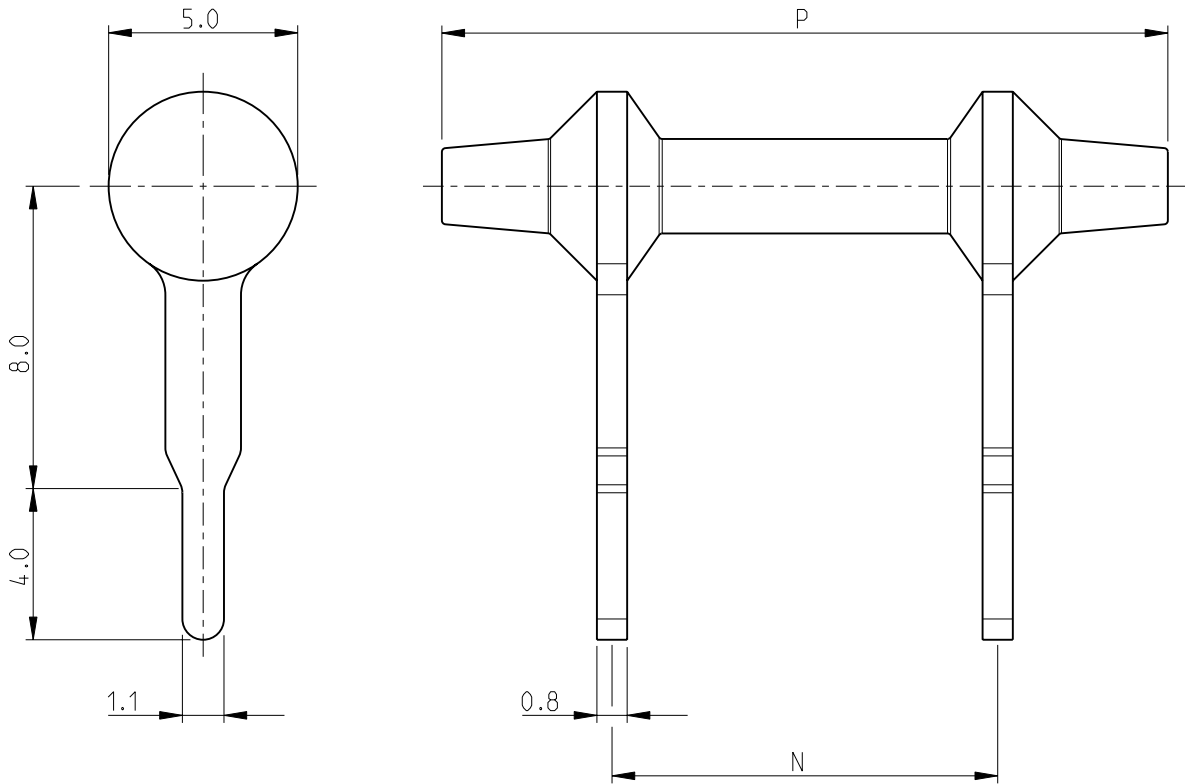


LOC	DIST	REVISIONS					
E	B	P	LTR	DESCRIPTION	DATE	DWN	APVD
		BA		NEW RELEASE	29-JUL-09	SM	St.P

FOR FURTHER INFORMATION SEE DATA SHEET FOR
SERIES FC- HIGH POWER RESISTORS



SCALE 4:1

FC10	45.7	54.7	2.1
FC4	15.2	24.2	1.3
FC2	10.2	19.2	1.2
STYLE	$N \pm 0.2$	P(Max.)	NOMINAL WEIGHT(g)

2008

RELEASED FOR PUBLICATION

THIS DRAWING IS UNPUBLISHED.

© COPYRIGHT 2008 BY TYCO ELECTRONICS CORPORATION. ALL RIGHTS RESERVED.

DIMENSIONS: mm	DWN SUBHASH.M	29-JUL-09	MATERIAL	-	FINISH	-
	CHK ALLAN.P	29-JUL-09	Tyco Electronics Corporation Dorcan, Swindon, SN3 5HH			
TOLERANCES UNLESS OTHERWISE SPECIFIED:	APVD STEPHEN.P	29-JUL-09				
	0 PLC ± 0.2	PRODUCT SPEC	SIZE	CAGE CODE	DRAWING NO	RESTRICTED TO
1 PLC ± 0.1	-	-	A 4	00779	©-1623709	-
2 PLC \pm	APPLICATION SPEC	-	CUSTOMER DRAWING			
3 PLC \pm	-	-	SCALE	5:1	SHEET	1 OF 1
4 PLC \pm	WEIGHT	-	REV BA			
ANGLES $\pm 5^\circ$						